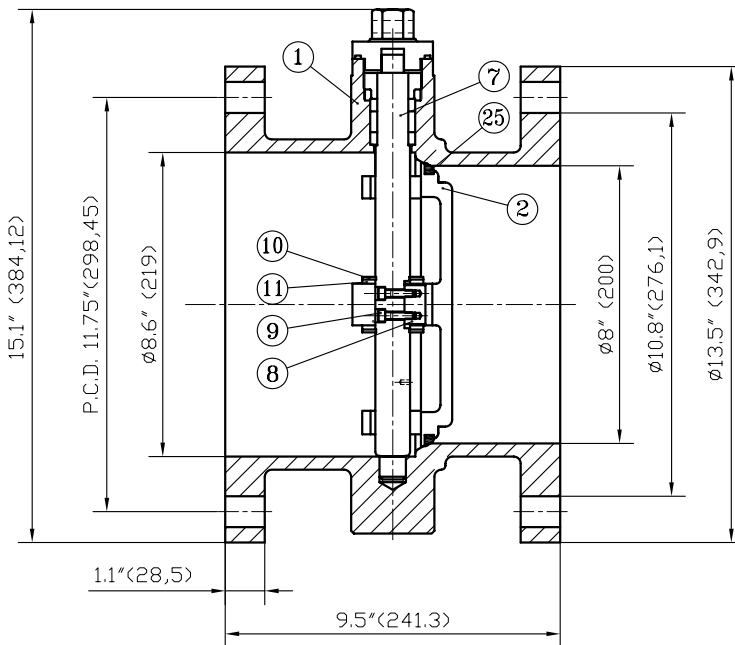
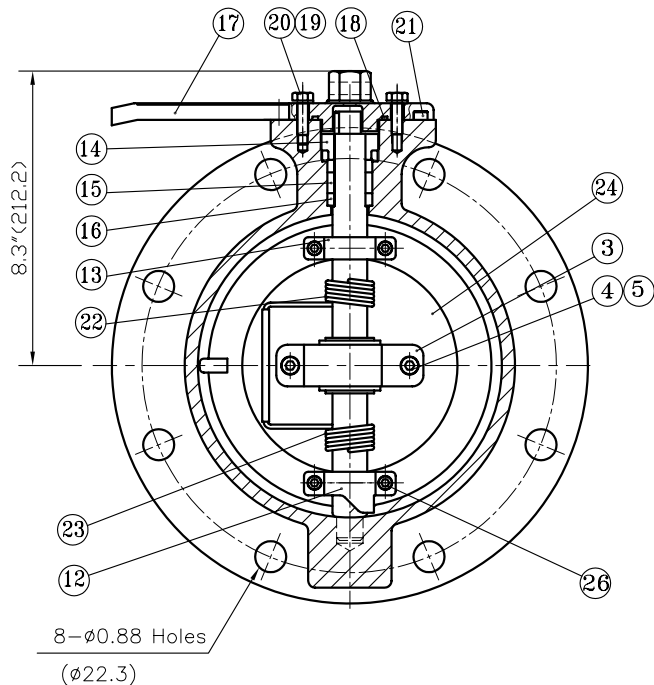
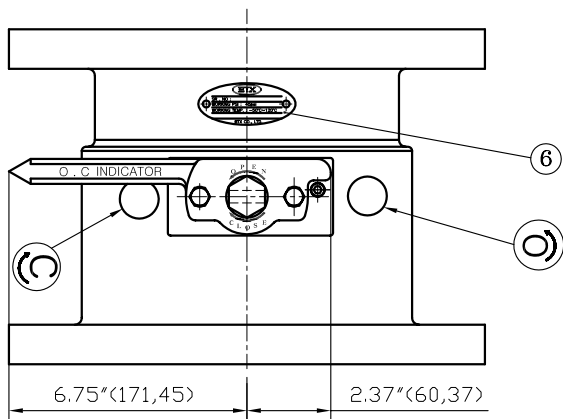
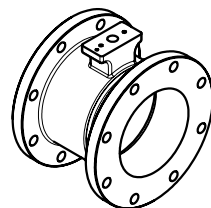


NOTES

1. WORKING FLUIDS : OIL
2. WORKING TEMPERATURE : -50°C~120°C
3. WORKING PRESSURE : 43 psi
4. SURFACE TREATMENT : ANSI 70 / GRAY



NO	NAME OF PARTS	Q'TY	MATERIAL	DIMENSION	REMARK
26	Socket Head / Cap Screw	4	SUS304	M6x15L	
25	Sealing Gasket Ring	1	HNBR,VITON		
24	Tubulr Spring Holder	1	SUS304		BK-BF200-A14
23	Operating Spring # 2	1	SWP		BK-BF200-A13
22	Operating Spring # 1	1	SWP		BK-BF200-A12
21	Socket Head / Cap Screw	1	SUS304	M6x10L	
20	Stainless Steel Lock Washer	2	SUS304	M8 \emptyset	
19	Stainless Steel Hex Head Cap Screw	2	SUS304	M8x25L	
18	O-RING	1	HNBR,VITON		G50
17	Operating Handle/Sealing Cap With Indicator	1	CASTING		BK-BF200-Y11
16	Blass Washer	2	C3604		BK-BF200-A10
15	Packing	1	HNBR,VITON		BK-BF200-A16
14	Blass Gland Nut	1	C3604		BK-BF200-A09
13	Shaft Guide # 2	1	SS400	CASTING	BK-BF200-A08
12	Shaft Guide # 1	1	SS400	CASTING	BK-BF200-A07
11	Brass Washer	2	C3604		BK-BF200-A06
10	Snap Ring	2	SK5		No.24
9	Socket Head Cap Screw	2	SUS304		M5x20L
8	KEY, BUSHRING LIFT	1	S45C		BK-BF200-A05
7	Operating Shaft	1	S45C		BK-BF200-Y04
6	NAME PLATE	1	SUS304		BK-BF200-Y15
5	Lock Washer	2	SUS304		M8 \emptyset
4	Hex Head Cap Screw	2	SUS304		M8x25L
3	Disk Push Ring	1	SCS13	CASTING	BK-BF200-A03
2	Operating disk	1	SS400	FORGING	BK-BF200-A02
1	Valve Body	1	FC20	CASTING	BK-BF200-Y01

REF. NO.	REV.
DWG. NO. BK-BF200-Y00	NO. 0
TITLE 8" FLANGE TYPE BUTTERFLY VALVE	

REV.	DATE	CONTENTS	DSN'D BY

SCALE	DSN'D BY	CHK'D BY	CHK'D BY	APP'D BY
N/S	T,K,HEO 2007.11,27	H.J.JU 2007.11,27	S.H.AHN 2007.11,27	J.G.BAE 2007.11,27

BTX BTX CO., LTD.