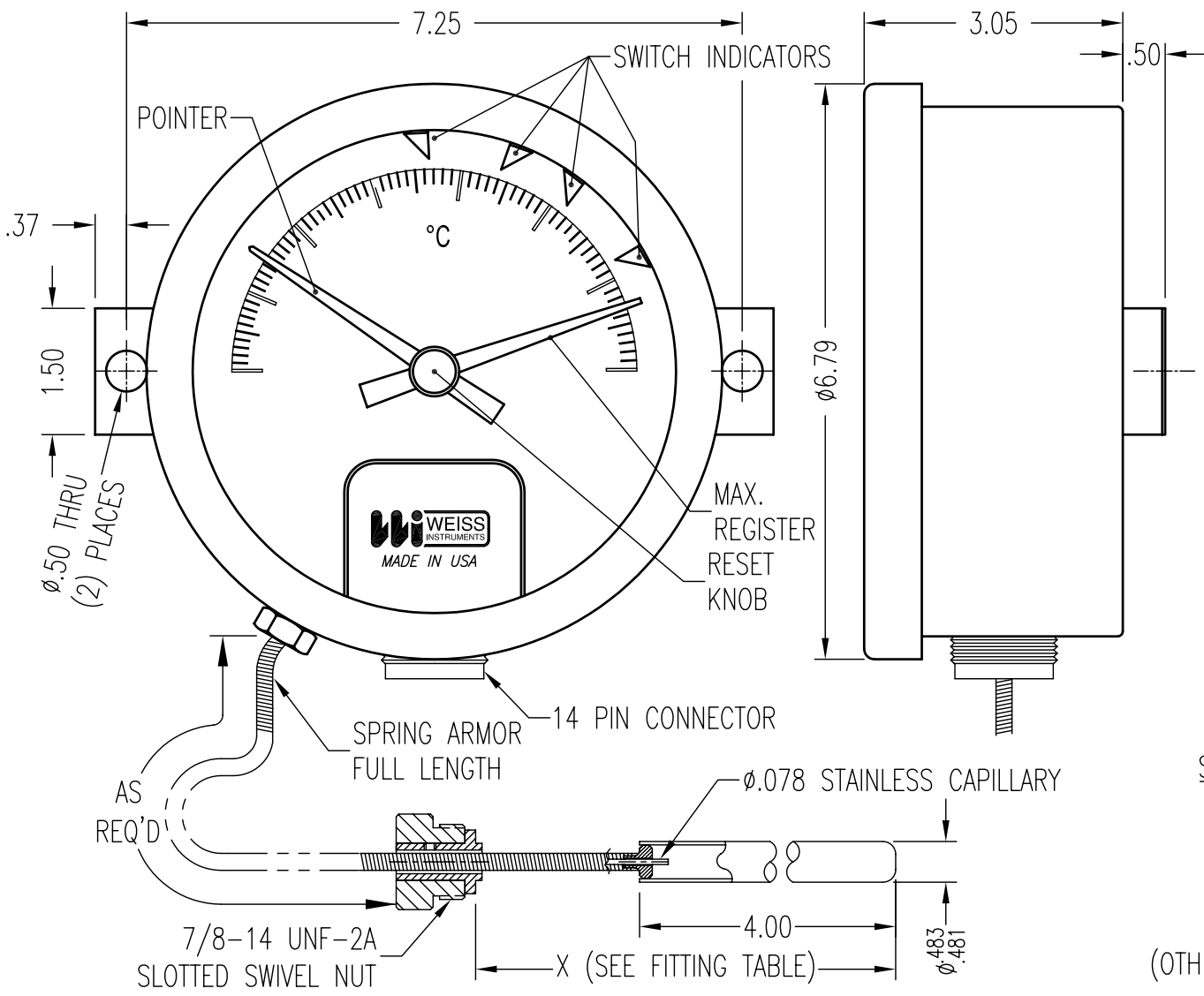


REV	ECN No.	DESCRIPTION	BY	DATE
B	N/A	ADDED FITTING	MC	2002 10 04



SPECIFICATIONS:

SWITCH RATING:
 HIPOT TO 1500V
 11 AMP AT 125, 250VAC
 0.5 AMP AT 125VDC
 0.25 AMP AT 250VDC
 4 AMP AT 125VAC(INDUCTIVE)

DIFFERENTIAL: 3% OF FULL SCALE
ACCURACY: 1.5% OF FULL SCALE @ 25°C

CASE MATERIAL: STAINLESS STEEL
WINDOW MAT'L: GLASS OR POLYCARBONATE.

DIAL:
 -WHITE MARKINGS.
 -BLACK BACKGROUND.
 -WHITE POINTER.
 -RED MAX. REGISTER HAND.

STANDARD RANGES:	FITTING TABLE:
-20/120°C	91 X = 5 13/16"
-20/160°C	92 X = 6 3/8"
-20/180°C	93 X = 9 11/16"
-20/200°C	94 X = 12"

(OTHER RANGES AVAILABLE)

DRAWING PER ANSI Y14.5M-1994
 ALL DIMENSIONS ARE IN INCHES.
 TOLERANCES UNLESS SPECIFIED:
 DECIMAL .XX ±.010
 DECIMAL .XXX ±.005
 ANGLES ±1°
 THIRD ANGLE PROJECTION

TITLE:
**TSG - 1 TO 5 SWITCH
 WALL MOUNTED
 SINGLE CAM DESIGN**
 DRAWN: M CUBILLO
 APPVD: M CUBILLO
 DATE: 2002 04 09
 SCALE: 1:2
 SIZE: A

WEISS INSTRUMENTS, INC.
 A Quality Commitment - Since 1882
 905 WAVERLY AVE., HOLTSVILLE, NEW YORK 11742
 PHONE: 631 207 1200 - FAX: 631 207 0900
 www.weissinstruments.com
 DRAWING NO: **130-0191**
 REV **B**